

Dixie-Narco®



Lawrence Street
Ranson, West Virginia 25438

(304) 725-3481
(800) 624-0553

Service Bulletin

259

Date: October 7, 1983

MODELS: All DN Models with serial numbers less than 001-1880.

SUBJECT: Parts Substitution for Sign Face Assembly.

PARTS: Parts that are identified by part name are "called out" in Fig. 1 and constitute the substituted parts.

Exception: The "sign face" is optional, that is, included if ordered.

INSTALLATION: Install parts as shown in Fig. 1.

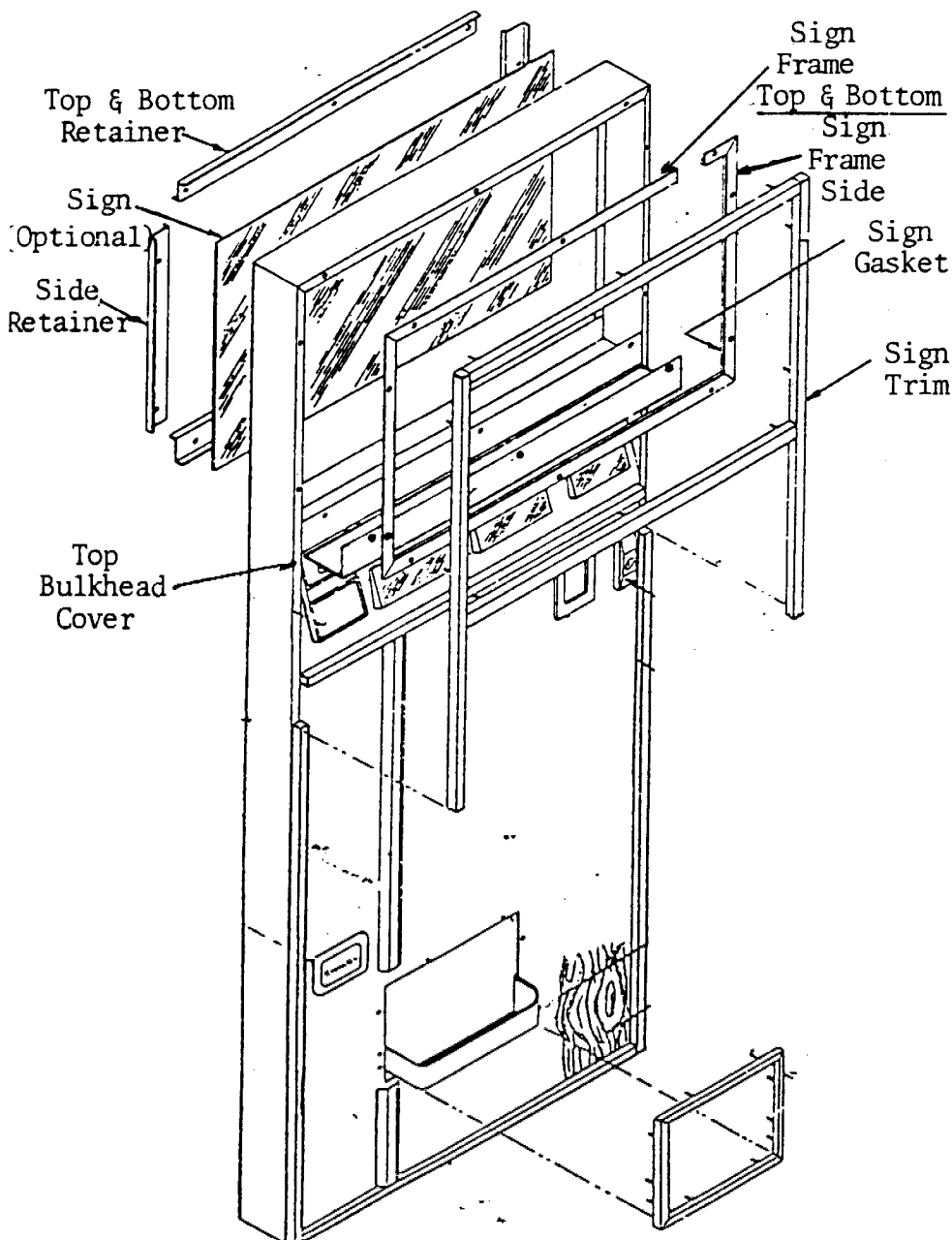


Fig. 1

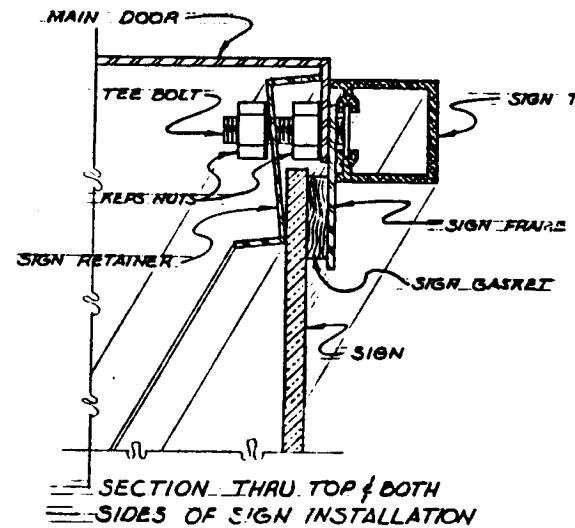


Fig. 2

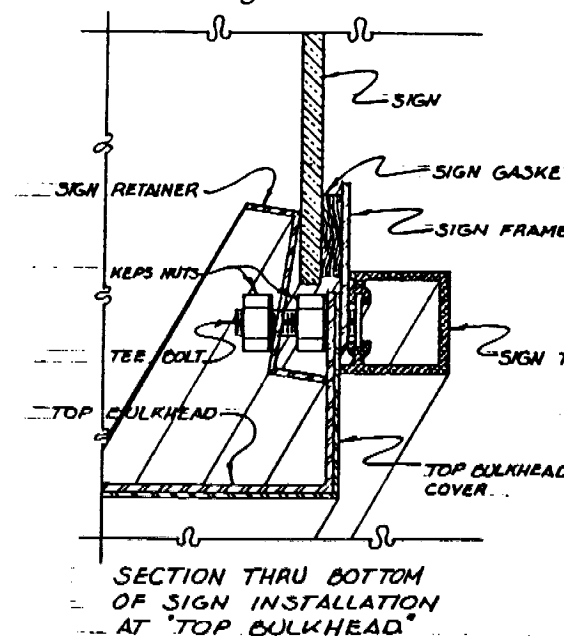


Fig. 3

DIXIE-NARCO, INC.